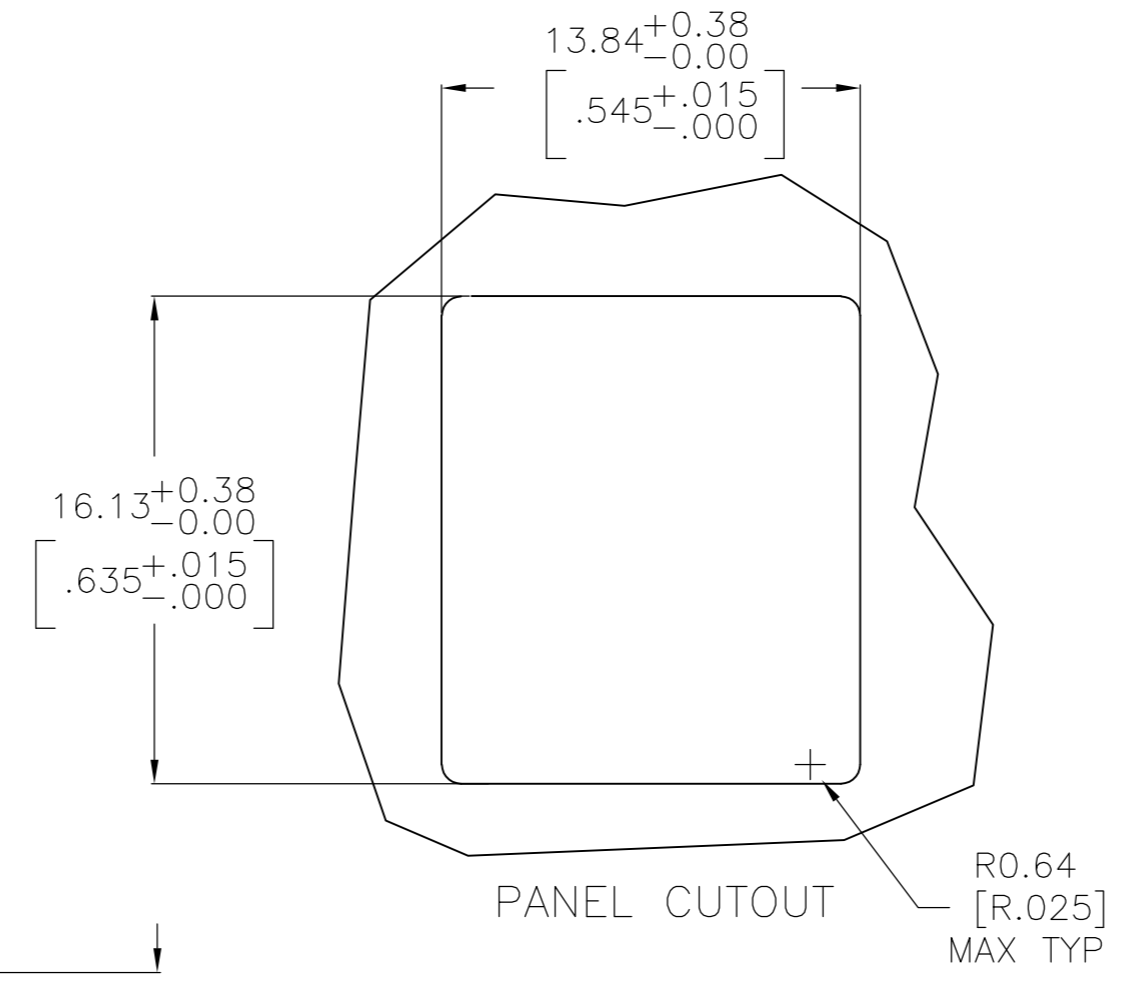
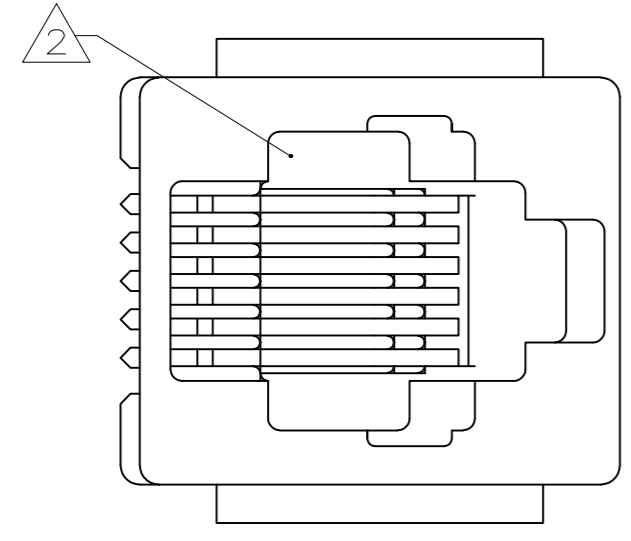


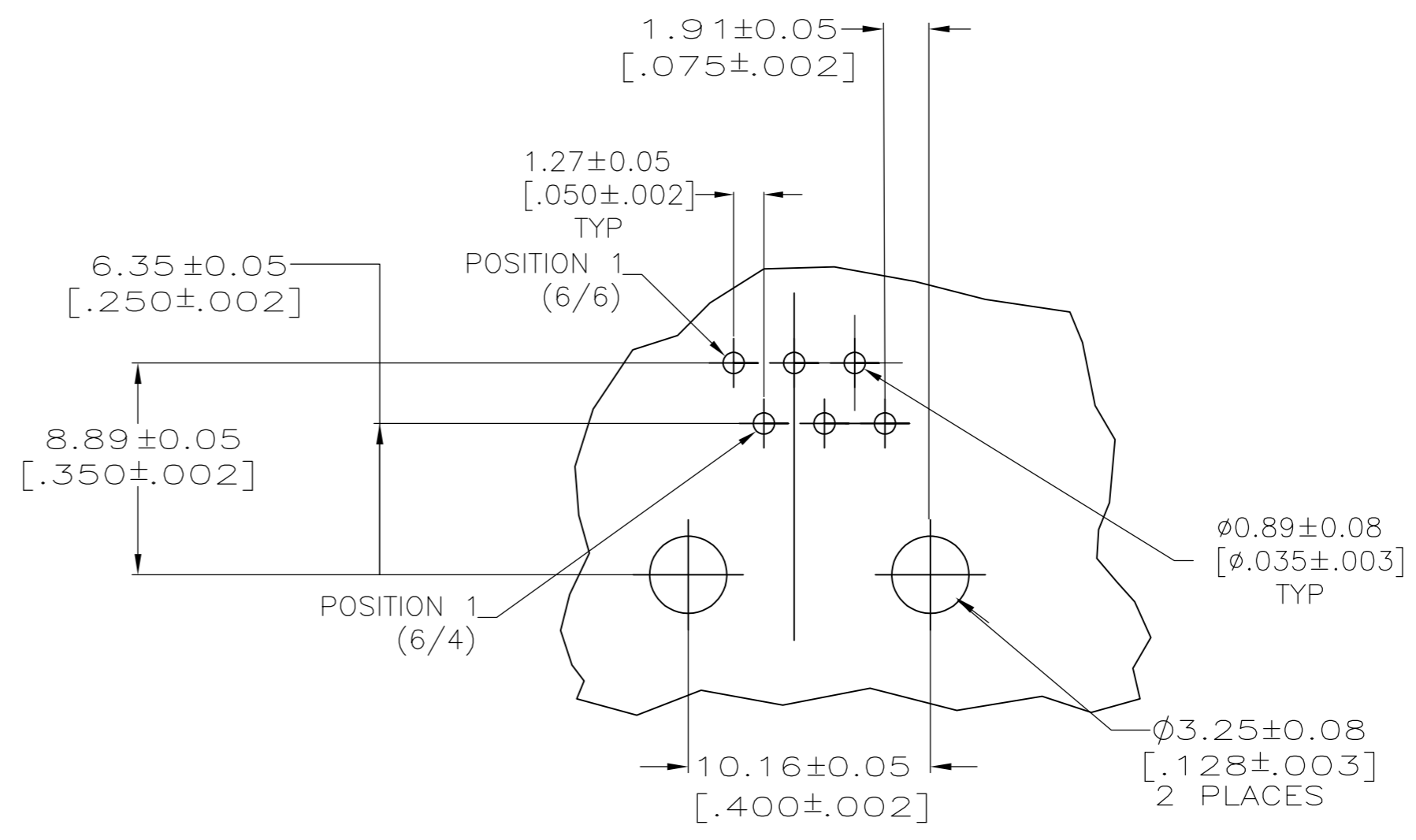
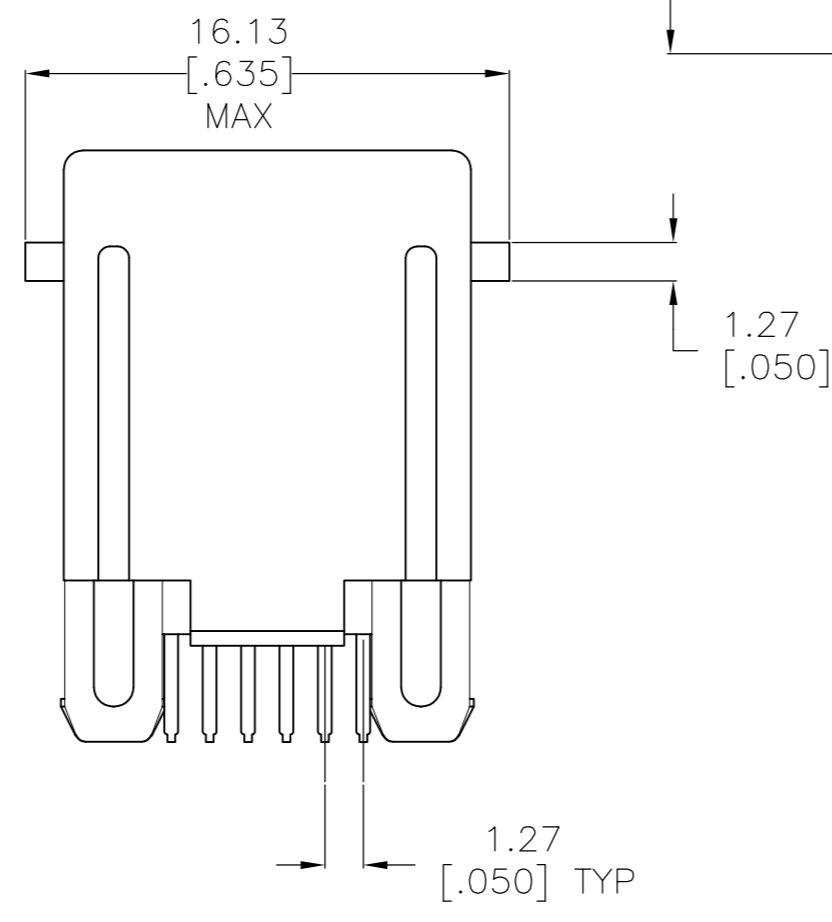
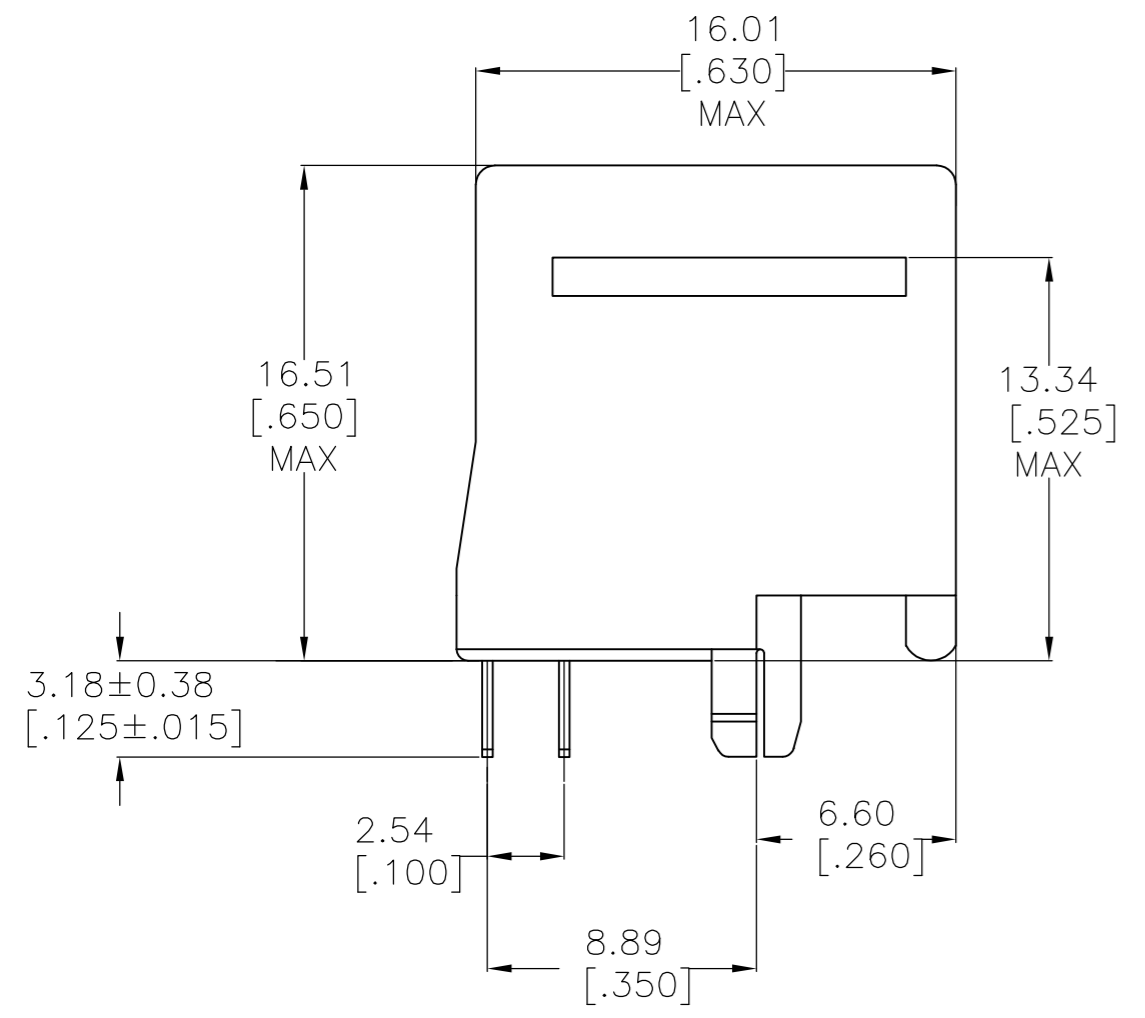
THIS DRAWING IS UNPUBLISHED. RELEASED FOR PUBLICATION  
 © COPYRIGHT - By - ALL RIGHTS RESERVED.

LOC		DIST		REVISIONS			
P	LTR	DESCRIPTION	DATE	DWN	APVD		
AA	00	B1	REVISED PER ECO-11-005033	23MAR11	RK	HMR	

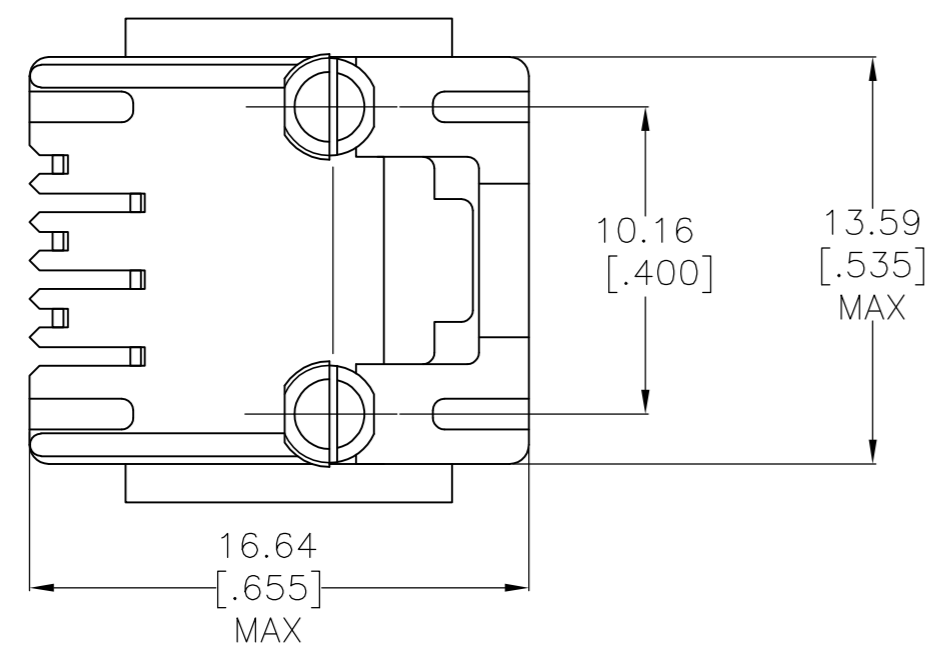


1. MATERIAL: HOUSING - BLACK PBT POLYESTER, BLACK, UL 94V-0.  
 TERMINAL - 0.36 [.014] THICK PHOS-BRONZE PLATED WITH 1.27µm [.000050] MINIMUM THICK GOLD IN LOCALIZED AREA AND 3.81µm [.000150] MINIMUM THICK MATTE TIN IN SOLDER AREA OVER 1.27µm [.000050] MINIMUM THICK NICKEL UNDERPLATE.

- ⚠ JACK CAVITY CONFORMS TO FCC RULES AND REGULATIONS PART 68 AND REA BULLETIN 345-81, PE-76 SPECIFICATION FOR MODULAR TELEPHONE HARDWARE.
- ⚠ BULK PACKAGE IN A TRAY
- ⚠ PACKAGED 28 PIECES PER TUBE



SUGGESTED PC BOARD LAYOUT  
 COMPONENT SIDE



⚠	6	5520258-4
⚠	6	5520258-3
⚠	4	5520258-2
PACKAGED	CONTACTS	PART NUMBER

THIS DRAWING IS A CONTROLLED DOCUMENT.		DWN	L.A.MAYER	16AUG2007	 TE Connectivity		
DIMENSIONS: mm [INCHES]		CHK	P.RECCE	16AUG2007			
TOLERANCES UNLESS OTHERWISE SPECIFIED:		APVD	S. FLICKINGER	16AUG2007			
0 PLC ± - 1 PLC ± - 2 PLC ± 0.13[.005] 3 PLC ± - 4 PLC ± - ANGLES ± - FINISH SEE NOTE 1		NAME	PRODUCT SPEC 108-1163 APPLICATION SPEC 114-2048				
MATERIAL SEE NOTE 1		WEIGHT	-		SIZE	A2	
		CUSTOMER DRAWING		SCALE	4:1	SHEET	1 OF 1
				REV	B1		